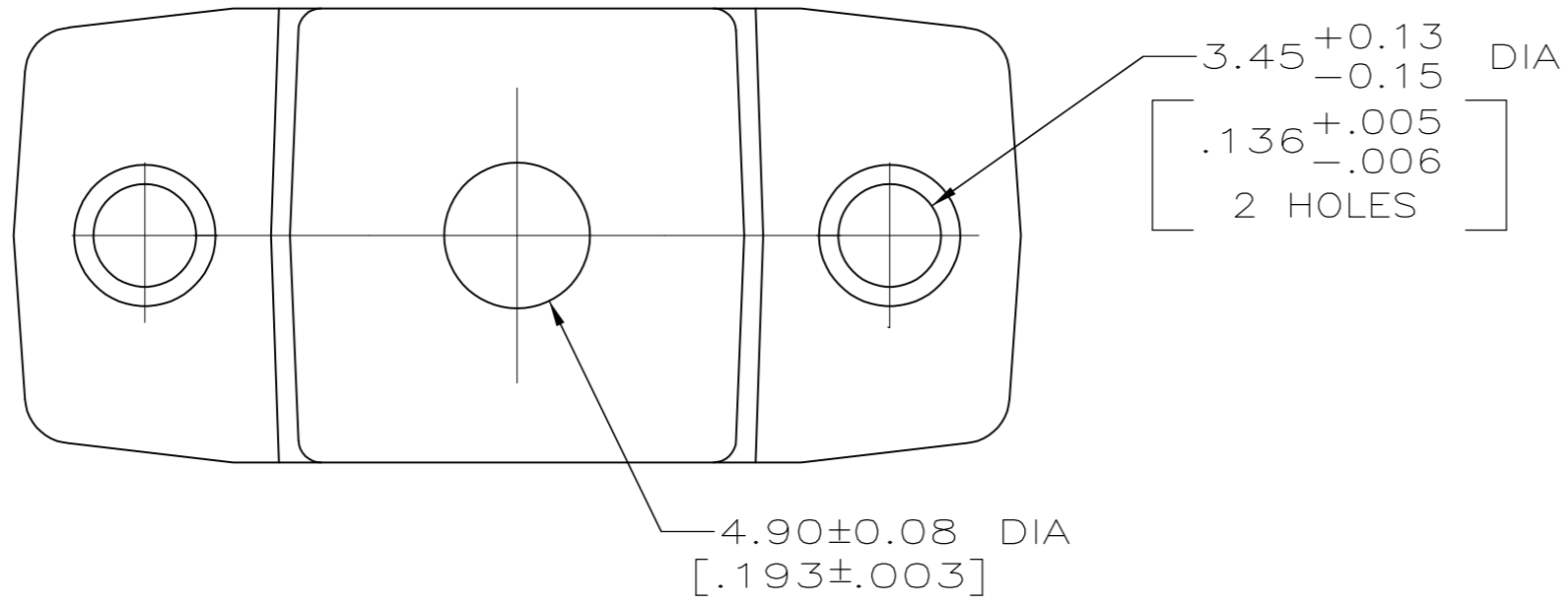
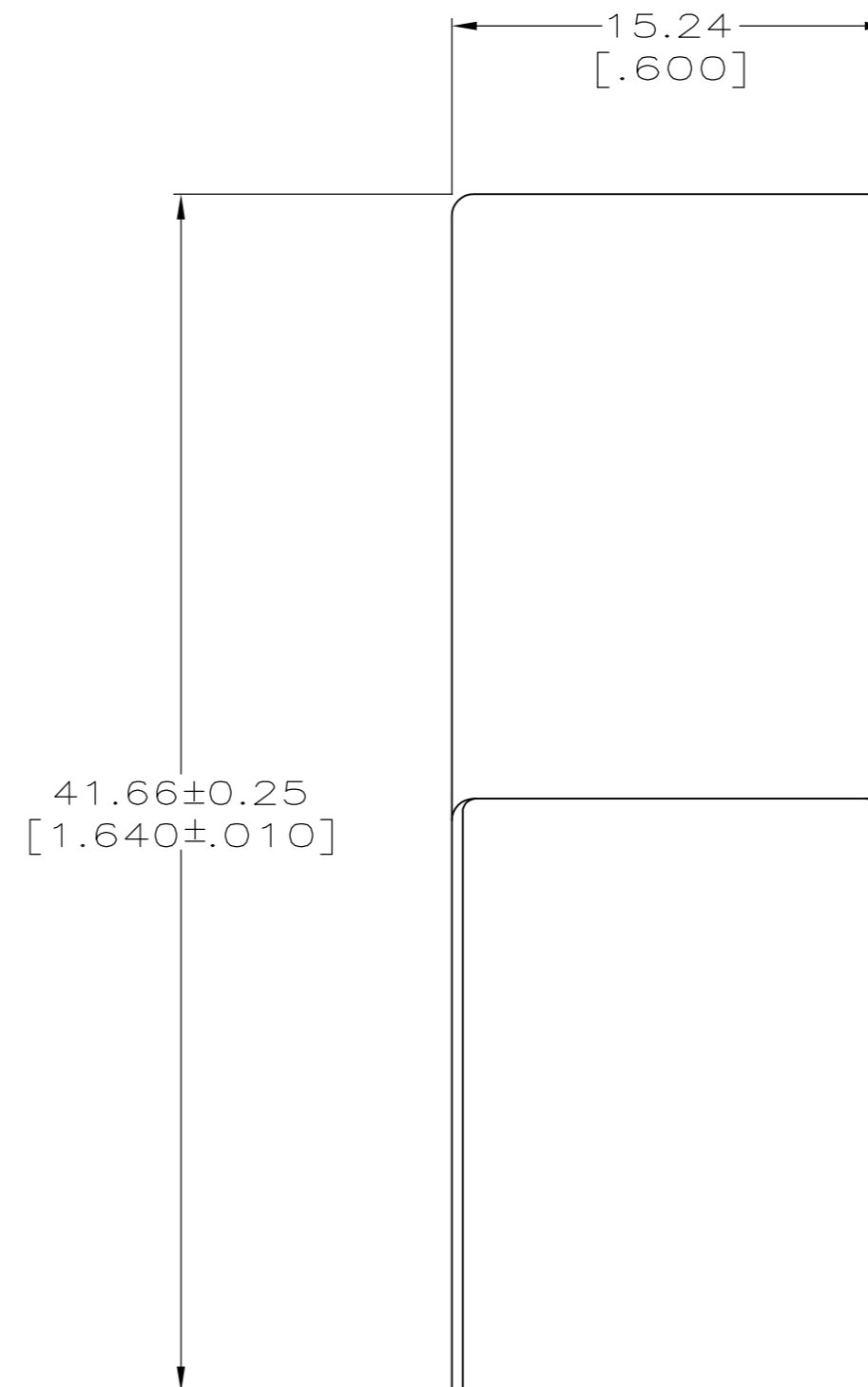
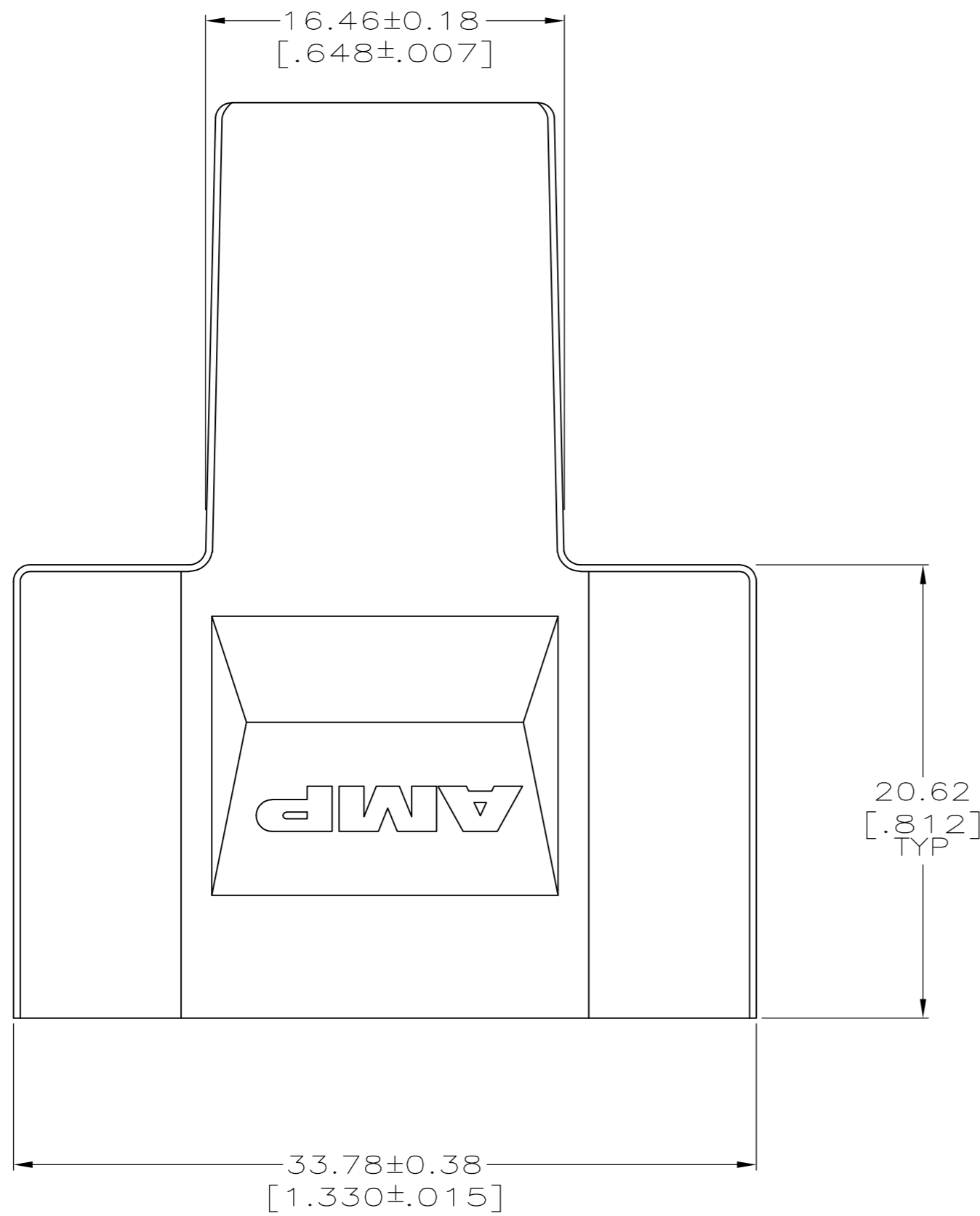


THIS DRAWING IS UNPUBLISHED. RELEASED FOR PUBLICATION  
 © COPYRIGHT - By - ALL RIGHTS RESERVED.

LOC		DIST		REVISIONS			
P	LTR	DESCRIPTION		DATE	DWN	APVD	
	A3	REVISED PER ECO-12-000193		30JAN2012	CJV	CWR	



- ① MATERIAL: PVC, UL94V-0.
- ② MATERIAL: TPV, UL94V-0, HALOGEN FREE.



OBSOLETE	②	BLACK	747932-7
	①	GREY	747932-5
	①	BLACK	747932-1
	MATERIAL	COLOR	PART NUMBER

THIS DRAWING IS A CONTROLLED DOCUMENT.		DWN	L.SIPE	10/19/92	<b>STE</b> TE Connectivity			
DIMENSIONS: mm [INCHES]		CHK	R.STONE	10/19/92				
TOLERANCES UNLESS OTHERWISE SPECIFIED:		APVD	J.FULPONI	10/20/92	NAME SHIELDING ENCLOSURE, SIZE 1, AMPLIMITE TM			
0 PLC ± -		PRODUCT SPEC	-		SIZE	CAGE CODE	DRAWING NO	RESTRICTED TO
1 PLC ± -		APPLICATION SPEC	114-40009		A2	00779	C=747932	-
2 PLC ± 0.13 [.005]		WEIGHT	-		SCALE	4:1	SHEET	1 OF 1
3 PLC ± -		CUSTOMER DRAWING	-		REV	A3		
4 PLC ± -								
ANGLES ± -								
FINISH -								